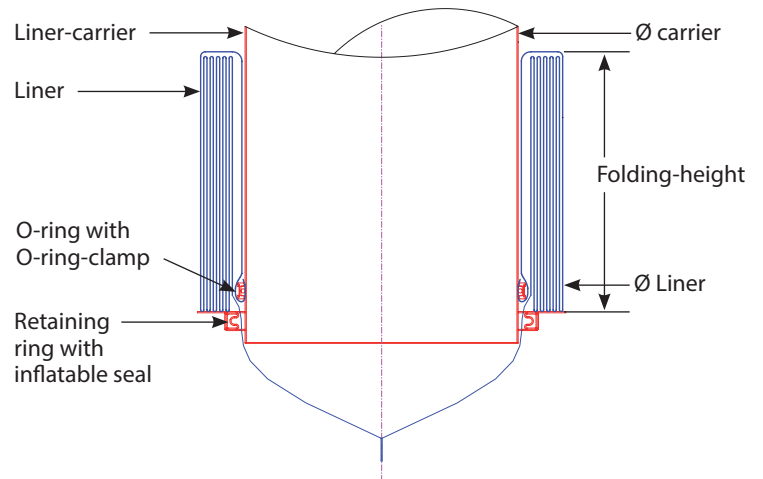




### The standard sizes of CLS types



Type	Film-Width (mm)	Ø Film (mm)	Ø Carrier (mm)*	Folding-Height (mm)	Film-Length (m)
<b>CLS-300</b>	300	190	115	150;300	5 - 15
<b>CLS-400</b>	400	250	170	150;300	5 - 15
<b>CLS-500</b>	500	320	220	170;250;400	20 - 40
<b>CLS-600</b>	600	380	300	170;250;400	20 - 40
<b>CLS-700</b>	700	450	340	170;250;400	30 - 50
<b>CLS-800</b>	800	500	370	170;250;400	30 - 50
<b>CLS-910</b>	910	580	420	170;250;400	30 - 80
<b>CLS-970</b>	970	620	450	170;250;400	30 - 80
<b>CLS-1100</b>	1100	700	530	170;250;400	30 - 80

\* Carrier-Ø are approximate and may vary depending on the application

- Basically, all types of films can be manufactured.
- The film thickness can be chosen in the range of 50-150 µm.
- The folding-height and the film length depend on the film thickness.
- Lugaia also produces specific CLS-liner sizes on request.